

CX130E / CX160E / CX180E

CRAWLER EXCAVATORS

E-Series

ENGINE

Model _____ FPT NEF4
 Type _____ Water-cooled, 4-cycle diesel, 4-cylinder in line, High pressure common rail system (electric control), turbocharger with air cooled intercooler, SCRof, EGR free
 Emissions _____ Stage V
 Number of cylinders/Displacement (l) _____ 4 / 4.48
 Bore and stroke (mm) _____ 104 X 132
Rated flywheel horse power
 ISO 9249 _____ 77.6 kW / 102 hp at 2000 min⁻¹
 ISO 14396 _____ 80 kW / 105 hp at 2000 min⁻¹
Maximum torque
 ISO 9249 _____ 370 Nm at 1800 min⁻¹
 ISO 14396 _____ 379 Nm at 1800 min⁻¹

HYDRAULIC SYSTEM

Main pumps _____ 2 variable displacement axial piston pumps with regulating system
 Max. oil flow (l/min) _____ 2 x 129 at 2000 min⁻¹
Working circuit pressure
 Boom/Arm/Bucket (MPa) _____ 34.3
 _____ 36.3 with auto power boost
 Swing circuit (MPa) _____ 27.9
 Travel circuit (MPa) _____ 34.3

CX130D LR

Working circuit pressure
 Swing circuit (MPa) _____ 24.0
 Pilot pump _____ 1 gear pump
 Max. oil flow (l/min) _____ 20
 Working circuit pressure (MPa) _____ 3.9
 Blade pump (CX130D Blade) _____ 1 gear pump
 Max. oil flow (l/min) _____ 54 at 2000 min⁻¹
 Working circuit pressure (MPa) _____ 20.6

Boom Cylinders

Bore (mm) _____ 105
 Stroke (mm) _____ 961

Arm Cylinders

Bore (mm) _____ 115
 Stroke (mm) _____ 1108

Bucket Cylinders

Bore (mm) _____ 95
 Stroke (mm) _____ 881

CX130D LR

Bucket Cylinders
 Bore (mm) _____ 85
 Stroke (mm) _____ 665

SWING

Swing Motor _____ Fixed displacement axial piston motor
 Maximum swing speed (min⁻¹) _____ 14.3
 Swing torque (Nm) _____ 33.000
CX130D LR
 Swing torque (Nm) _____ 28.400

FILTERS

Suction filter (µm) _____ 105
 Return filter (µm) _____ 6
 Pilot line filter (µm) _____ 8

ELECTRICAL SYSTEM

Voltage (V) _____ 24
 Alternator (Amp) _____ 90
 Starter (V/kW) _____ 24/5.5
 Battery _____ 2 X 12 V 72 Ah/5HR

UNDERCARRIAGE

Travel motor _____ Variable displacement axial piston motor

Travel speeds

High (km/h) _____ 5.6
 Low (km/h) _____ 3.4

Automatic travel speed shifting

Drawbar pull (kN) _____ 116

CX130D BLADE

Number of carrier rollers (each side) _____ 1
 Number of track rollers (each side) _____ 7
 Number of shoes (each side) _____ 43

CX130D LC - CX130D LR

Number of carrier rollers (each side) _____ 2
 Number of track rollers (each side) _____ 7
 Number of shoes (each side) _____ 46

CIRCUIT AND COMPONENT CAPACITIES

Fuel tank (l) _____ 250
 Hydraulic system (l) _____ 157
 Hydraulic tank (l) _____ 82
 Adblue tank (l) _____ 60

WEIGHT AND GROUND PRESSURE

with 2.50 m Arm , 0.5 m³ Bucket , 600 mm grouser shoes, operator, lubricant, coolant, full fuel tank and FOPS protection level 2

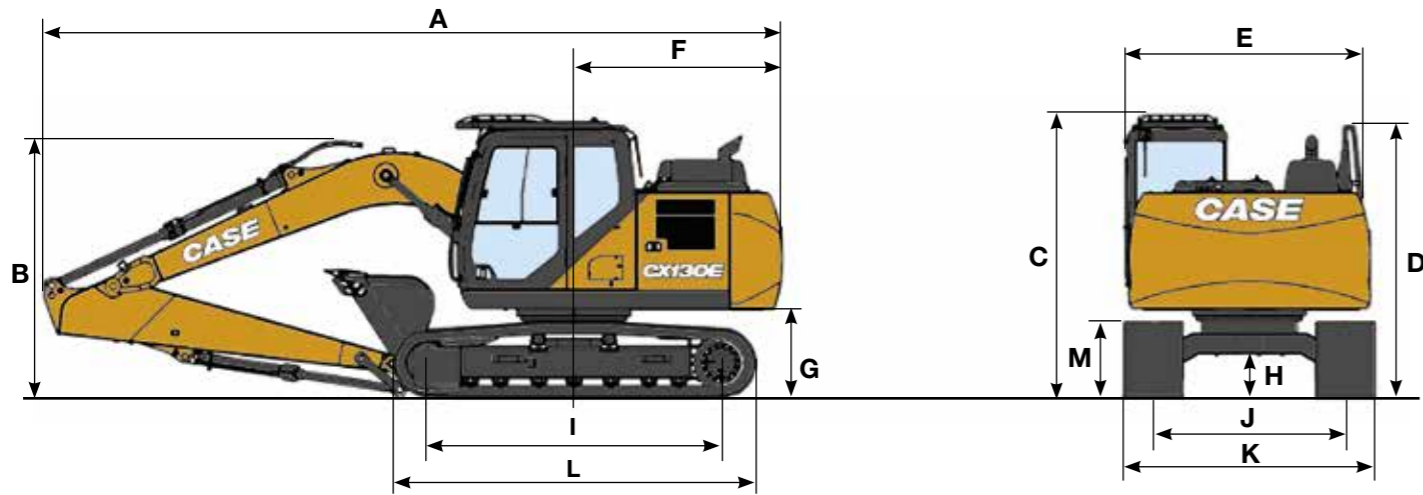
CX130E	BLADE	LC
Weight	14.000 kg	13.400 kg
Ground Pressure	0.038 MPa	0.033 MPa
Counterweight	1.990 kg	

with 5.30 m Arm , 0.28 m³ Bucket , 700 mm grouser shoes, operator, lubricant, coolant, full fuel tank

CX130E LR	
Weight	15.400 kg
Ground Pressure	0.033 MPa
Counterweight	3.400 kg

SPECIFICATIONS

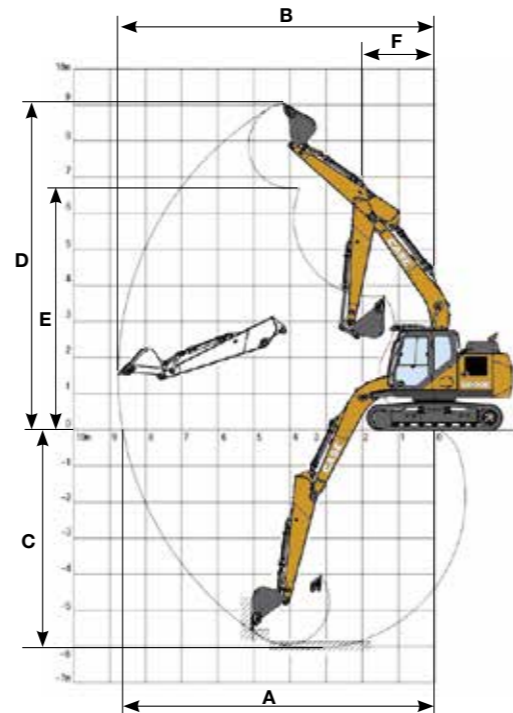
CX130E



GENERAL DIMENSIONS	BLADE			LC		
	Arm 2.50 m	Arm 3.0 m	Arm 2.10 m	Arm 2.50 m	Arm 3.0 m	Arm 2.10 m
Overall length (without attachment)	mm	4160	4160	4030	4030	4030
A Overall length (with attachment)	mm	7900	7900	7650	7640	7640
B Overall height (to top of boom)	mm	2770	2640	2680	2770	2680
C Cab height	mm	2920	2920	2920	2920	2920
D Overall height (to top of handrail)	mm	2810	2810	2810	2810	2810
E Upper structure overall width	mm	2530	2530	2530	2530	2530
F Swing (rear end) radius	mm	2190	2190	2190	2190	2190
G Clearance height under upper structure	mm	895	895	895	895	895
H Minimum ground clearance	mm	425	425	425	420	420
I Wheel base (Center to center of wheels)	mm	2790	2790	2790	3040	3040
L Crawler overall length	mm	3500	3500	3500	3760	3760
M Crawler tracks height	mm	780	780	780	780	780
J Track gauge	mm	1990	1990	1990	1990	1990
K Undercarriage overall width (with 600 mm shoes)	mm	2490	2490	2490	2490	2490

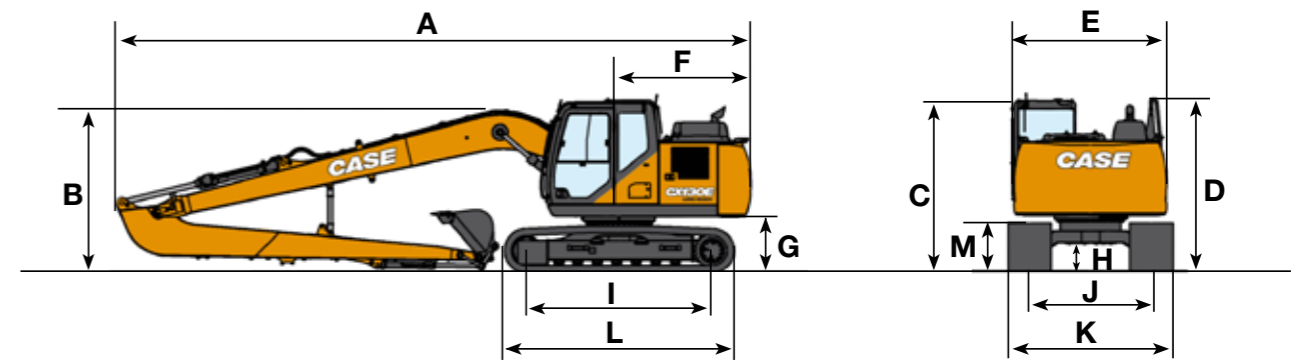
PERFORMANCE DATA	Arm 2.50 m	Arm 3.0 m	Arm 2.10 m	
Boom length	mm	4630	4630	4630
Bucket radius	mm	1200	1200	1200
Bucket wrist action	°	178	178	178
A Maximum reach at GRP	mm	8170	8640	7810
B Maximum reach	mm	8310	8770	7960
C Max. digging depth	mm	5550	6050	5160
D Max. digging height	mm	8770	9050	8550
E Max. dumping height	mm	6390	6680	6170
F Min. swing radius	mm	2340	2660	2360

DIGGING FORCE (ISO 6015)	Arm 2.50 m	Arm 3.0 m	Arm 2.10 m	
Arm digging force	kN	62	56	70
with Auto power up	kN	66	60	74
Bucket digging force	kN	90	90	90
with Auto power up	kN	95	95	95



SPECIFICATIONS

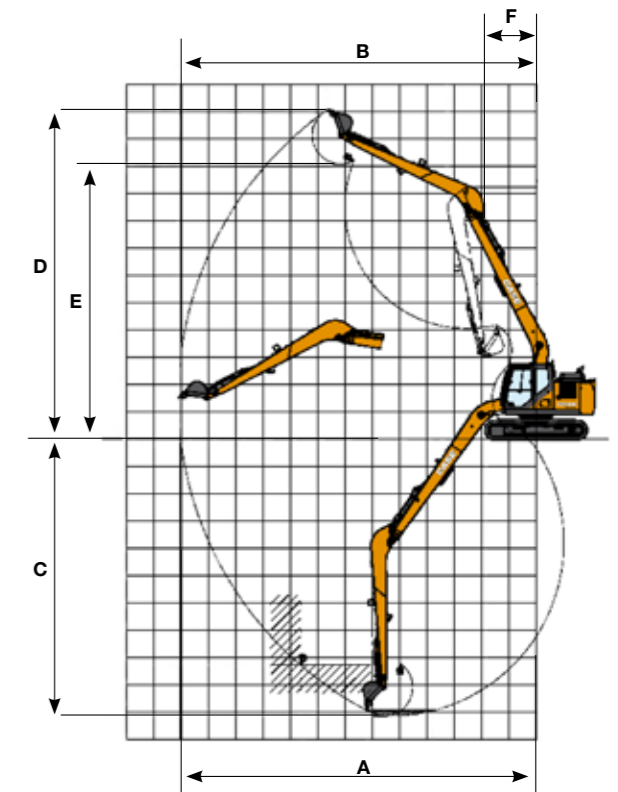
CX130E LONG REACH



GENERAL DIMENSIONS	Arm 5.30 m	
Overall length (without attachment)	mm	4030
A Overall length (with attachment)	mm	10390
B Overall height (to top of boom)	mm	2660
C Cab height	mm	2800
D Overall height (to top of handrail)	mm	2810
E Upper structure overall width	mm	2530
F Swing (rear end radius)	mm	2190
G Clearance height under upper structure	mm	895
H Minimum ground clearance	mm	420
I Wheel base (Center to center of wheels)	mm	3040
L Crawler overall length	mm	3760
M Crawler tracks height	mm	780
J Track gauge	mm	1990
K Undercarriage overall width (with 700 mm shoes)	mm	2590

PERFORMANCE DATA	Arm 5.30 m	
Boom length	mm	7400
Bucket radius	mm	1050
Bucket wrist action	°	180°
A Maximum reach at GRP	mm	13010
B Maximum reach	mm	13100
C Max. digging depth	mm	10130
D Max. digging height	mm	12070
E Max. dumping height	mm	10080
F Min. swing radius	mm	3220

DIGGING FORCE (ISO 6015)	Arm 5.30 m
Arm digging force	23 kN
Bucket digging force	35 kN



LIFTING CAPACITY

CX130E

REACH											
1.5 m		3.0 m		4.5 m		6.0 m		7.5 m		At max reach	
BLADE DOWN - 2.50 m length, 600 mm shoes. Max reach 8.31 m											
7.5 m				1830*	1830*				1420*	1420*	5.22
6.0 m						2370*	2370*		1210*	1210*	6.70
4.5 m				2900*	2900*	2830*	2450	1240*	1240*	1140*	7.53
3.0 m			5260*	5260*	3950*	3750	3270*	2350	2400*	1580	7.94
1.5 m			7700*	6720	5060*	3520	3830*	2230	2870*	1530	8.02
0 m	2490*	2490*	7980*	6240	5800*	3310	4210*	2130	2660*	1480	7.80
-1.5 m	5020*	5020*	9240*	6200	5940*	3220	4260*	2080			7.25
-3.0 m	7810*	7810*	8520*	6300	5600*	3270	3830*	2140			6.31
-4.5 m			6460*	6370*	4000*	3390*			3490*	3080	4.76

REACH											
2.0 m		4.0 m		6.0 m		At max reach					
BLADE DOWN - 2.10 m length, 600 mm shoes. Max reach 6.76 m											
6.0 m			3610*	3610*			2730*	2730*			5.0
4.0 m			4270*	4270*	3800*	2530	2440*	2340			6.27
2.0 m			5980*	4350	4200*	2420	2490*	2040			6.74
0 m			7000*	4080	4550*	2330	2840*	2050			6.58
-2.0 m	7910*	7910*	6630*	4060			3830*	2480			5.74
BLADE DOWN - 3.0 m length, 600 mm shoes. Max reach 7.57 m											
6.0 m					2160*	2160*	1990*	1990*			6.06
4.0 m					3160*	2590	1850*	1850*			7.14
2.0 m			5060*	4480	3740*	2440	1900*	1700			7.55
0 m			6610*	4090	4330*	2300	2130*	1700			7.41
-2.0 m	6340*	6340*	6890*	3960	4410*	2240	2720*	1950			6.68
-4.0 m	10230*	10230*	5570*	4060			3960*	2890			5.11

REACH											
1.5 m		3.0 m		4.5 m		6.0 m		7.5 m		At max reach	
BLADE UP - 2.50 m length, 600 mm shoes. Max reach 8.31 m											
7.5 m				1830*	1830*				1420*	1420*	5.22
6.0 m						2370*	2340		1210*	1210*	6.70
4.5 m				2900*	2900*	2830*	2300	1240*	1240*	1140*	7.53
3.0 m			5260*	5260*	3950*	3540	2910	2200	1970	1940	7.94
1.5 m			7700*	6190	4450	3280	2780	2080	1910	1420	8.02
0 m	2490*	2490*	7980*	5730	4230*	3070	2670	1970	1870	1370	7.80
-1.5 m	5020*	5020*	8340	5690	4130	2990	2620	1930			7.25
-3.0 m	7810*	7810*	8440*	5790	4170	3030	2680	1990			6.31
-4.5 m			6460*	5920	4000*	3160			3490*	2860	4.76

REACH											
2.0 m		4.0 m		6.0 m		At max reach					
BLADE UP - 2.10 m length, 600 mm shoes. Max reach 6.76 m											
6.0 m			3610*	3610*			2730*	2730*			5.0
4.0 m			4270*	4270*	3080	2370	2440*	2200			6.27
2.0 m			5520	4050	2970	2270	2490	1910			6.74
0 m			5220	3790	2870	2180	2520	1920			6.58
-2.0 m	7910*	7910*	5200	3770			3060	2320			5.74

* The above loads (kg) are compliant to the ISO standards and refer to the excavator equipped without bucket. The indicated loads are no more than 87% of hydraulic system lift capacity or 75% of static tipping load. Values marked with an asterisk (*) are limited by the hydraulic lifting capacity.

REACH											
2.0 m		4.0 m		6.0 m		At max reach					
BLADE UP - 3.0 m length, 600 mm shoes. Max reach 7.57 m											
6.0 m					2160*	2160*	1990*	1990*			6.06
4.0 m					3150	2430	1850*	1800			7.14
2.0 m			5060*	4180	3000	2290	1900*	1590			7.55
0 m			5240	2800	2850	2150	2090	1590			7.41
-2.0 m	6340*	6340*	5090	3670	2780	2090	2410	1820			6.68
-4.0 m	10230*	10230*	5200	3770			3610	2700			5.11

REACH											
1.5 m		3.0 m		4.5 m		6.0 m		7.5 m		At max reach	
BLADE DOWN - 2.50 m length, 500 mm shoes. Max reach 8.31 m											
7.5 m				1830*	1830*				1420*	1420*	5.22
6.0 m						2370*	2310		1210*	1210*	6.70
4.5 m				2900*	2900*	2830*	2270	1240*	1240*	1140*	7.53
3.0 m			5260*	5260*	3950*	3490	2880	2170	1940	1440	7.94
1.5 m			7700*	6110	4400	3230	2750	2040	1890	1390	8.02
0 m	2490*	2490*	7980*	5660	4170	3030	2640	1940	1840	1350	7.80
-1.5 m	5020*	5020*	8240	5610	4080	2940	2590	1900			7.25
-3.0 m	7810*	7810*	8360	5710	4120	2990	2650	1960			6.31
-4.5 m			6460*	5850	4000*	3120			3490*	2820	4.76
LC - 2.50 m length, 600 mm shoes. Max reach 8.31 m											
7.5 m				1830*	1830*				1420*	1420*	5.22
6.0 m						2370*	2230		1210*	1210*	6.70
4.5 m				2900*	2900*	2830*	2190	1240*	1240*	1140*	7.53
3.0 m			5260*	5260*	3950*	3380	3250	2090	2230	1390	7.94
1.5 m			7700*	5920	5030	3130	3150	1970	2170	1330	8.02
0 m	2490*	2490*	7980*	5460	4840	2920	3040	1870	2120	1290	7.80
-1.5 m	5020*	5020*	9240*	5420	4740	2830	2990	1820			7.25
-3.0 m	7810*	7810*	8520*	5520	4780	2880	3040	1880			6.31
-4.5 m			6460*	5680	4000*	3010			3490*	2720	4.76

REACH											
2.0 m		4.0 m		6.0 m		At max reach					
LC - 2.10 m length, 600 mm shoes. Max reach 6.76 m											
6.0 m			3610*	3610*			2730*	2730*			5.0
4.0 m			4270*	4270*	3450	2270	2440*	2100			6.27
2.0 m			5980*	3880	3340	2160	2490*	1810			6.74
0 m			6000	3610	3230	2070	2840*	1830			6.58
-2.0 m	7910*	7910*	5980	3590			3460	2200			5.74
LC - 3.0 m length, 600 mm shoes. Max reach 7.57 m											
6.0 m					2160*	2160*	1990*	1990*			6.06
4.0 m					3160*	2320	1850*	1720			7.14
2.0 m			5060*	4000	3370	2180	1900*	1510			7.55
0 m			6020	3620	3210	2040	2130*	1510			7.41
-2.0 m	6340*	6340*	5870	3490	3150	1980	2710	1730			6.68
-4.5 m	10230*	10230*	5570*	3590			3960*	2570			5.11

* The above loads (kg) are compliant to the ISO standards and refer to the excavator equipped without bucket. The indicated loads are no more than 87% of hydraulic system lift capacity or 75% of static tipping load. Values marked with an asterisk (*) are limited by the hydraulic lifting capacity.

LIFTING CAPACITY

CX130E

REACH												
1.5 m		3.0 m		4.5 m		6.0 m		7.5 m		At max reach		
m												
LC - 2.50 m length, 500 mm shoes. Max reach 8.31 m												
7.5 m				1830*	1830*					1420*	1420*	5.22
6.0 m						2370*	2200			1210*	1210*	6.70
4.5 m				2900*	2900*	2830*	2160	1240*	1240*	1140*	1140*	7.53
3.0 m			5260*	5260*	3950*	3340	3210	2060	2190	1360	1140*	7.94
1.5 m			7700*	5830	4960*	3080	3100	1940	2130	1310	1210*	8.02
0 m	2490*	2490*	7980*	5380	4770	2870	2990	1830	2090	1270	1350*	7.80
-1.5 m	5020*	5020*	9240*	5340	4670	2790	2940	1790			1610*	7.25
-3.0 m	7810*	7810*	8520*	5440	4710	2830	2990	1850			2180*	6.31
-4.5 m			6460*	5610	4000*	2960					3490*	4.76

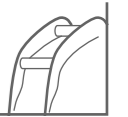
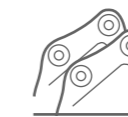
LIFTING CAPACITY

CX130E LONG REACH

REACH														
2.0 m		4.0 m		6.0 m		8.0 m		10.0 m		12.0 m		At max reach		
m														
5.30 m length, 750 LC mm shoes. Max reach 12.00 m														
10.0 m						1030*	1030*					720*	720*	8.49
8.0 m						1400*	1400*	760*	760*			660*	660*	10.12
6.0 m						1530*	1530*	1440*	1360			640*	640*	11.17
4.0 m				2050*	2050*	1800*	1800*	1650*	1300			660*	660*	11.79
2.0 m			4310*	4310*	2760*	2630	2150*	1730	1840*	1210	750*	750*	710*	12.04
0 m			2770*	2770*	3390*	2310	2450	1560	1770	1120		790*	790*	11.95
-1.5 m	1420*	1420*	2690*	2690*	3460	2120	2320	1450	1700	1060		930*	860	11.52
-4.0 m	2060*	2060*	3280*	3280*	3390	2060	2270	1400	1680	1030		1190*	950	10.69
-6.0 m	2770*	2770*	4240*	3750	3430	2090	2300	1420				1750*	1160	9.37
-8.0 m			4140*	3990	2860*	2230						2240*	1740	7.29

BUCKETS

CX130E



CX130E - Direct Mount

Capacity m ³ (ISO7451 HEAPED)	Width mm	Weight kg	Arm 2.50 m	Arm 3.00 m	Arm 2.10 m
GENERAL PURPOSE BUCKET					
0.21	450	249	○	○	○
0.31	600	283	○	○	○
0.41	750	326	○	○	○
0.52	900	359	○	●	○
0.58	1000	393	●	■	○
0.66	1100	425	●	■	●
0.73	1200	449	■	—	■
TILTABLE DITCH CLEANING BUCKET					
0.46	1500	634	●	■	●
0.55	1800	690	■	—	■
0.61	2000	729	—	—	■

CX130E - Quick coupled

Capacity m ³ (ISO7451 HEAPED)	Width mm	Weight kg	Arm 2.50 m	Arm 3.00 m	Arm 2.10 m
GENERAL PURPOSE SCOOP BUCKET					
0.21	450	242	○	○	○
0.31	600	277	○	○	○
0.41	750	311	○	●	○
0.52	900	355	●	■	○
0.58	1000	385	■	■	●
0.66	1100	418	■	—	■
0.73	1200	442	—	—	■

CX130E LR- Direct Mount

Capacity m ³ (ISO7451 HEAPED)	Width mm	Weight kg	Arm 5.30 m
GENERAL PURPOSE BUCKET			
0.10	300	125	○
0.12	350	130	○
0.15	400	140	○
0.17	450	145	○
0.19	500	150	○
0.24	600	170	●
0.32	750	200	■
DITCH CLEANING BUCKET			
0.27	1200	170	●
0.35	1500	200	■

CX130E LR - Quick coupled

Capacity m ³ (ISO7451 HEAPED)	Width mm	Weight kg	Arm 5.30 m
GENERAL PURPOSE SCOOP BUCKET			
0.10	300	125	○
0.12	350	130	○
0.15	400	140	○
0.17	450	145	○
0.19	500	150	○
0.24	600	170	●
0.32	750	200	■
DITCH CLEANING BUCKET			
0.27	1200	180	■

○ Rated material density up to 2 ton/m³
● Rated material density up to 1.6 ton/m³

■ Rated material density up to 1.2ton/m³
— Not applicable

HAMMER

CX130E

Direct Fit

Model	Install Weight kg	Reference machine settings		Arm 2.11 m	Arm 2.50 m	Arm 3.01 m
		Flow l/min	Relief Pressure Mpa			
CB BREAKER						
CB135S	630	87	18-21	□	□	□
CB150S	950	87	19-21	□	—	—

□ Applicable
— Not applicable

CX E- SERIES

CX160E

ENGINE

Model	FPT NEF4
Type	Water-cooled, 4-cycle diesel, 4-cylinder in line, High pressure common rail system (electric control), turbocharger with air cooled intercooler, SCRof, EGR free
Emissions	Stage V
Number of cylinders/Displacement (l)	4 / 4.48
Bore and stroke (mm)	104 x 132
Rated flywheel horse power	
ISO 9249 (kW/hp)	91 / 122 at 2200 min ⁻¹
ISO 14396 (kW/hp)	97 / 130 at 2200 min ⁻¹
Maximum torque	
ISO 9249 (Nm)	456 at 1600 min ⁻¹
ISO 14396 (Nm)	470 at 1600 min ⁻¹

HYDRAULIC SYSTEM

Main pumps	2 variable displacement axial piston pumps with regulating system
Max. oil flow (l/min)	2 x 142 at 2200 min ⁻¹
Working circuit pressure	
Boom/Arm/Bucket (MPa)	34.3
	36.3 with auto power boost
Swing circuit (MPa)	27.9
Travel circuit (MPa)	34.3
Pilot pump	1 gear pump
Max. oil flow (l/min)	22
Working circuit pressure (MPa)	3.9
Boom Cylinders	
Bore (mm)	115
Stroke (mm)	1179
Arm Cylinders	
Bore (mm)	125
Stroke (mm)	1280
Bucket Cylinders	
Bore (mm)	105
Stroke (mm)	985

SWING

Swing Motor	Fixed displacement axial piston motor
Maximum swing speed (min-1)	11.5
Swing torque (Nm)	45100

FILTERS

Suction filter (µm)	105
Return filter (µm)	6
Pilot line filter (µm)	8

ELECTRICAL SYSTEM

Voltage (V)	24
Alternator (Amp)	50
Starter (V/kW)	24/4.0
Battery	2 X 12 V - 72 Ah/5HR

UNDERCARRIAGE

Travel motor	Variable displacement axial piston motor
Travel speeds	
High (km/h - automatic travel speed shifting)	5.4
Low (km/h)	2.8
Drawbar pull (kN)	160
Number of carrier rollers (each side)	2
Number of track rollers (each side)	7
Number of shoes (each side)	44

CIRCUIT AND COMPONENT CAPACITIES

Fuel tank (l)	300
Hydraulic system (l)	167
Hydraulic tank (l)	82
Adblue tank (l)	60

WEIGHT AND GROUND PRESSURE

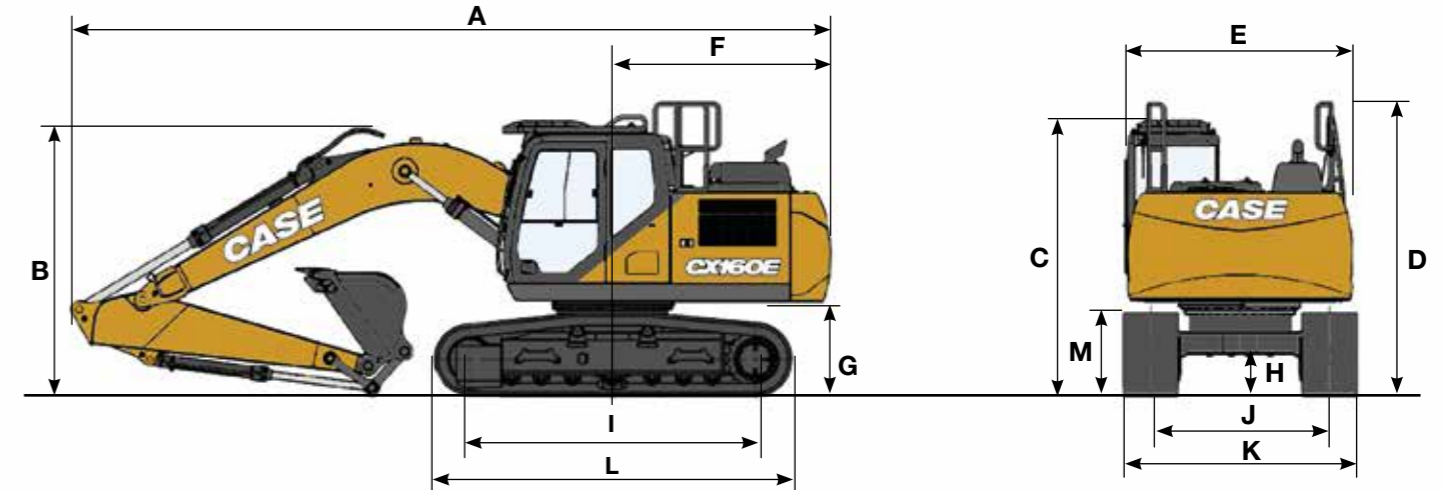
(with 2.62 m Arm, 0.62 m³ Sumitomo Bucket, 600 mm grouser shoe, operator, lubricant, coolant, full fuel tank and top guard OPG level 2)

CX160E

Weight	17 400 kg
Ground Pressure	0.041 MPa
Counterweight	2870 kg

SPECIFICATIONS

CX160E

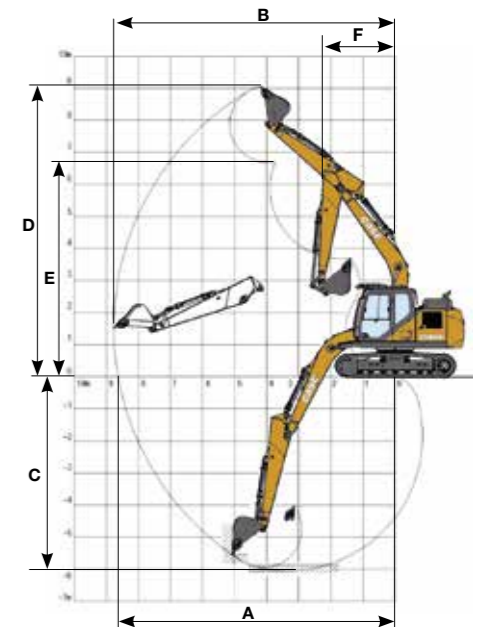


GENERAL DIMENSIONS

		Arm 2.60 m	Arm 3.0 m	Arm 2.20 m
Overall length (without attachment)	mm	4520	4520	4520
A Overall length (with attachment)	mm	8550	8610	8580
B Overall height (to top of boom)	mm	2960	3130	3000
C Cab height	mm	3050	3050	3050
D Overall height (to top of handrail)	mm	3260	3260	3260
E Upper structure overall width	mm	2530	2530	2530
F Swing (rear end) radius	mm	2520	2520	2520
G Clearance height under upper structure	mm	1020	1020	1020
H Minimum ground clearance	mm	420	420	420
I Wheel base (Center to center of wheels)	mm	3190	3190	3190
L Crawler overall length	mm	3990	3990	3990
M Crawler tracks height	mm	920	920	920
J Track gauge	mm	1990	1990	1990
K Undercarriage overall width (with 600 mm shoes)	mm	2590	2590	2590

PERFORMANCE DATA		Arm 2.60 m	Arm 3.0 m	Arm 2.20 m
Boom length	mm	5150	5150	5150
Bucket radius	mm	1350	1350	1350
Bucket wrist action	°	178	178	178
A Maximum reach at GRP	mm	8870	9220	8490
B Maximum reach	mm	9040	9380	8670
C Max. digging depth	mm	6060	6490	5660
D Max. digging height	mm	9240	9290	9010
E Max. dumping height	mm	6610	6690	6380
F Min. swing radius	mm	2990	3050	2980

DIGGING FORCE (ISO 6015)		Arm 2.60 m	Arm 3.0 m	Arm 2.20 m
Arm digging force	kN	79	72	90
with Auto power up	kN	84	77	95
Bucket digging force	kN	112	112	112
with Auto power up	kN	118	118	118



LIFTING CAPACITY

CX160E

REACH								
2.0 m		4.0 m		6.0 m		At max reach		m
2.6 m length, 600 mm shoes. Max reach 7.69 m								
6.0 m				3920*	3340	2660*	2660*	6.37
4.0 m		6090*	6000	5000	3240	2540*	2330	7.34
2.0 m		8890*	5340	4760	3030	2650*	2100	7.69
0 m			8560	4970	4580	2680	3010*	7.49
-2.0 m	8100*	8100*	8500	4910	4530	2820	3890	6.7
-4.0 m	13650*	13650*	8050*	5100			5960*	5.5
2.2 m length, 600 mm shoes. Max reach 7.32 m								
6.0 m						3510*	3360	5.92
4.0 m		6720*	5910	4970	3220	3340*	2540	6.96
2.0 m		8940	5280	4760	3030	3510*	2270	7.32
0 m			8580	4990	4600	2890	3620	7.11
-2.0 m	8950*	8950*	8580	4990	4590	2880	4330	6.28
-4.0 m			7160*	5230			6120*	4.46

REACH										
2.0 m		4.0 m		6.0 m		8.0 m		At max reach		m
3.0 m length, 600 mm shoes. Max reach 8.03 m										
8.0 m							2820*	2820*	4.94	
6.0 m				3850*	3390		2390*	2390*	6.78	
4.0 m				4690*	3260		2310*	2160	7.7	
2.0 m		8240*	5410	4770	3030	2570*	1950	2440*	8.3	
0 m			8550	4940	4550	2830		2790*	7.84	
-2.0 m	7650*	7650*	8410	4830	4470	2750		3540	7.9	
-4.0 m	14120*	14120*	8570	4960				5120	5.56	

BUCKETS

CX160E



CX160E - Direct Mount

Capacity m ³ (ISO7451 HEAPED)	Width mm	Weight kg	Reference machine settings		
			Arm 2.60 m	Arm 3.00 m	Arm 2.20 m
GENERAL PURPOSE BUCKET					
0.24	470	350	○	○	○
0.36	600	389	○	○	○
0.50	750	437	○	○	○
0.62	900	475	○	●	○
0.70	1000	501	●	●	○
0.78	1100	536	●	■	●
0.87	1200	562	■	■	●
1.00	1350	625	■	—	■

TILTABLE DITCH CLEANING BUCKET					
Capacity m ³	Width mm	Weight kg	Arm 2.60 m	Arm 3.00 m	Arm 2.20 m
0.46	1500	644	○	○	○
0.55	1800	700	●	●	○
0.61	2000	739	●	■	●
0.68	2200	804	■	■	●
0.74	2400	836	■	—	■

○ Rated material density up to 2 ton/m³
● Rated material density up to 1.6 ton/m³

CX160E - Quick coupled

Capacity m ³ (ISO7451 HEAPED)	Width mm	Weight kg	Reference machine settings		
			Arm 2.60 m	Arm 3.00 m	Arm 2.20 m
GENERAL PURPOSE SCOOP BUCKET					
0.24	470	338	○	○	○
0.36	600	377	○	○	○
0.50	750	417	○	●	○
0.62	900	466	●	■	○
0.70	1000	492	■	■	●
0.78	1100	528	■	—	■
0.87	1200	554	—	—	■

■ Rated material density up to 1.2ton/m³
— Not applicable

* The above loads (kg) are compliant to the ISO standards and refer to the excavator equipped without bucket. The indicated loads are no more than 87% of hydraulic system lift capacity or 75% of static tipping load. Values marked with an asterisk (*) are limited by the hydraulic lifting capacity.

HAMMER

CX160E

Direct Fit

Model	Install Weight kg	Reference machine settings		Arm 2.23m	Arm 2.62 m	Arm 3.05 m
		Flow l/min	Relief Pressure Mpa			
CB BREAKER						
CB150S	970	95	19-21	□	□	—
CB240S	1100	95	19-21	□	—	—

□ Applicable
— Not applicable

CX E- SERIES

CX180E

ENGINE

Model	FPT NEF4
Type	Water-cooled, 4-cycle diesel, 4-cylinder in line, High pressure common rail system (electric control), turbocharger with air cooled intercooler, SCRof, EGR free
Emissions	Stage V
Number of cylinders/Displacement (l)	4 / 4.48
Bore and stroke (mm)	104 x 132
Rated flywheel horse power	
ISO 9249 (kW/hp)	91 / 122 at 2200 min ⁻¹
ISO 14396 (kW/hp)	97 / 130 at 2200 min ⁻¹
Maximum torque	
ISO 9249 (Nm)	456 at 1600 min ⁻¹
ISO 14396 (Nm)	470 at 1600 min ⁻¹

HYDRAULIC SYSTEM

Main pumps	2 variable displacement axial piston pumps with regulating system
Max. oil flow (l/min)	2 x 142 at 2200 min ⁻¹
Working circuit pressure	
Boom/Arm/Bucket (MPa)	34.3
	36.3 with auto power up
Swing circuit (MPa)	27.9
Travel circuit (MPa)	34.3
Pilot pump	1 gear pump
Max. oil flow (l/min)	22
Working circuit pressure (MPa)	3.9
Boom Cylinders	
Bore (mm)	115
Stroke (mm)	1179
Arm Cylinders	
Bore (mm)	125
Stroke (mm)	1280
Bucket Cylinders	
Bore (mm)	105
Stroke (mm)	985

SWING

Swing Motor	Fixed displacement axial piston motor
Maximum swing speed (min ⁻¹)	11.5
Swing torque (Nm)	45100

FILTERS

Suction filter (µm)	105
Return filter (µm)	6
Pilot line filter (µm)	8

ELECTRICAL SYSTEM

Voltage (V)	24
Alternator (Amp)	50
Starter (V/kW)	24/4.0
Battery	2 x 12 V - 72 Ah/5HR

UNDERCARRIAGE

Travel motor	Variable displacement axial piston motor
Travel speeds	
High (km/h - automatic travel speed shifting)	4.0
Low (km/h)	2.3
Drawbar pull (kN)	190
Number of carrier rollers (each side)	2
Number of track rollers (each side)	7
Number of shoes (each side)	46

CIRCUIT AND COMPONENT CAPACITIES

Fuel tank (l)	300
Hydraulic system (l)	167
Hydraulic tank (l)	82
Adblue tank (l)	60

WEIGHT AND GROUND PRESSURE

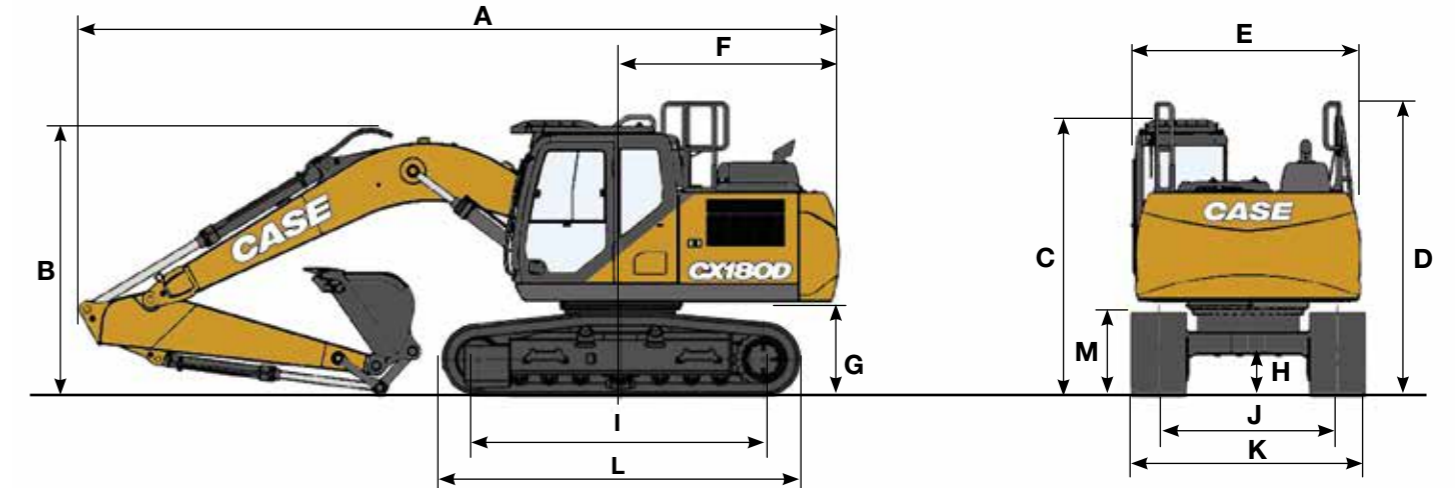
(with 2.62 m Arm, 0.68 m³ Sumitomo Bucket, 600 mm grouser shoe, operator, lubricant, coolant, full fuel tank and top guard OPG level 2)

CX180E

Weight	18500 kg
Ground Pressure	0.041 MPa
Counterweight	3120 kg

SPECIFICATIONS

CX180E



GENERAL DIMENSIONS

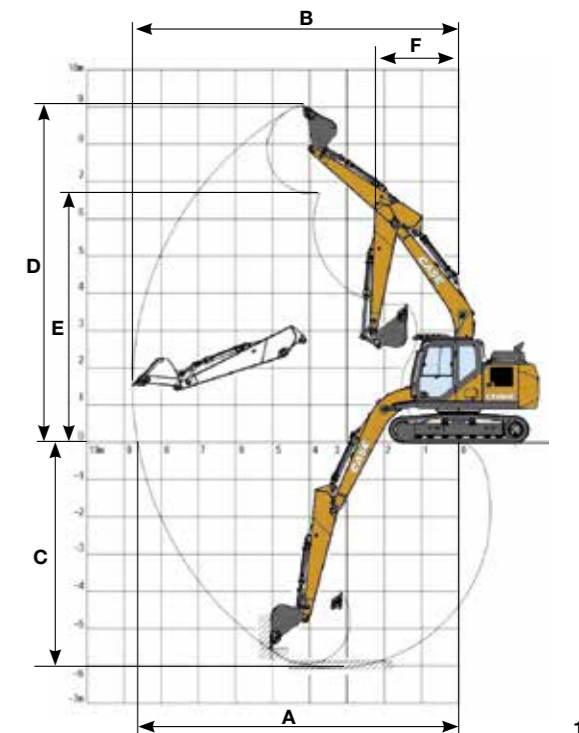
		Arm 2.60 m	Arm 3.0 m	Arm 2.20 m
Overall length (without attachment)	mm	4610	4610	4610
A Overall length (with attachment)	mm	8550	8600	8580
B Overall height (to top of boom)	mm	2960	3120	3000
C Cab height	mm	3070	3070	3070
D Overall height (to top of handrail)	mm	3280	3280	3280
E Upper structure overall width	mm	2530	2530	2530
F Swing (rear end) radius	mm	2520	2520	2520
G Clearance height under upper structure	mm	1040	1040	1040
H Minimum ground clearance	mm	440	440	440
I Wheel base (Center to center of wheels)	mm	3370	3370	3370
L Crawler overall length	mm	4180	4180	4180
M Crawler tracks height	mm	925	925	925
J Track gauge	mm	2200	2200	2200
K Undercarriage overall width (with 600 mm shoes)	mm	2800	2800	2800

PERFORMANCE DATA

		Arm 2.60 m	Arm 3.0 m	Arm 2.20 m
Boom length	mm	5150	5150	5150
Bucket radius	mm	1350	1350	1350
Bucket wrist action	°	178	178	178
A Maximum reach at GRP	mm	8870	9210	8490
B Maximum reach	mm	9040	9380	8670
C Max. digging depth	mm	6040	6470	5650
D Max. digging height	mm	9250	9300	9030
E Max. dumping height	mm	6630	6710	6400
F Min. swing radius	mm	2990	3050	2980

DIGGING FORCE (ISO 6015)

		Arm 2.60 m	Arm 3.0 m	Arm 2.20 m
Arm digging force	kN	79	72	90
with Auto power up	kN	84	77	95
Bucket digging force	kN	112	112	112
with Auto power up	kN	118	118	118



LIFTING CAPACITY

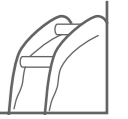
CX180E

REACH									
2.0 m		4.0 m		6.0 m		At max reach		m	
Stiel 2.6 m, 600 mm Bodenplatten. Max. Reichweite 7.69 m									
6,0 m				3940*	3940*	2660*	2660*		6,38
4,0 m		6100*	6100*	5080*	3860	2540*	2540*		7,35
2,0 m		8910*	6480	5520	3640	2650*	2540		7,69
0 m			10110	6100	5320	3470	3020*	2580	7,48
-2,0 m	8140*	8140*	10050	6040	5280	3430	3940*	2990	6,69
-4,0 m	13600*	13600*	8020*	6240			5960*	4530	5,3
2.2 m length, 600 mm Bodenplatten. Max. Reichweite 7.32 m									
6,0 m							3510*	3510*	5,94
4,0 m		6740*	6740*	5430*	3840	3340*	3040		6,96
2,0 m		9450*	6420	5510	3650	3500*	2750		7,32
0 m			10130	6120	5350	3500	4040*	2800	7,11
-2,0 m	9010*	9010*	10050*	6120	5340	3490	5040	3320	6,27
-4,0 m			7110*	6380			6110*	5500	4,44

REACH											
2,0 m		4,0 m		6,0 m		8,0 m		At max reach		m	
Stiel 3.0 m, 600 mm Bodenplatten. Max. Reichweite 8.03 m											
8,0 m								2820*	2820*		4,96
6,0 m				3860*	3860*			2380*	2380*		6,79
4,0 m				4690*	3880			2310*	2310*		7,7
2,0 m		8260*	6560	5520	3650	2580*	2380	2440*	2360		8,3
0 m			10100	6080	5300	3450		2790*	2380		7,83
-2,0 m	7690*	7690*	9960	5960	5210	3370		3620*	2720		7,8
-4,0 m	14190*	14190*	8710*	6100				5890*	3870		5,54

BUCKET

CX180E



CX180E - Direct Mount

Capacity m ³ (ISO7451 HEAPED)	Width mm	Weight kg	Arm 2.60 m	Arm 3.00 m	Arm 2.20 m
GENERAL PURPOSE BUCKET					
0.24	470	350	○	○	○
0.36	600	389	○	○	○
0.50	750	437	○	○	○
0.62	900	475	○	○	○
0.70	1000	501	○	○	○
0.78	1100	536	●	●	○
0.87	1200	562	●	■	○
1.00	1350	625	■	■	●

CX180E - Quick coupled

Capacity m ³ (ISO7451 HEAPED)	Width mm	Weight kg	Arm 2.60 m	Arm 3.00 m	Arm 2.20 m
GENERAL PURPOSE SCOOP BUCKET					
0.24	470	338	○	○	○
0.36	600	377	○	○	○
0.50	750	417	○	○	○
0.62	900	466	○	●	○
0.70	1000	492	●	●	○
0.78	1100	528	■	■	○
0.87	1200	554	■	■	●
1.00	1350	614	—	—	■

* remove for road transport with 3.05 m arm

90° TILT DITCH CLEANING BUCKET					
0.46	1500	644	○	○	○
0.55	1800	700	○	○	○
0.61	2000	739	●	●	○
0.68	2200	804	●	■	○
0.74	2400	836	■	■	●

○ Rated material density up to 2 ton/m³
● Rated material density up to 1.6 ton/m³

■ Rated material density up to 1.2ton/m³
— Not applicable

* The above loads (kg) are compliant to the ISO standards and refer to the excavator equipped without bucket. The indicated loads are no more than 87% of hydraulic system lift capacity or 75% of static tipping load. Values marked with an asterisk (*) are limited by the hydraulic lifting capacity.

HAMMER

CX180E

Direct Fit

Model	Install Weight kg	Reference machine settings		Arm 2.23m	Arm 2.62 m	Arm 3.05 m
		Flow l/min	Relief Pressure Mpa			
CB BREAKER						
CB240S	1100	95	19-21	□	□	—

□ Applicable
— Not applicable

BUILDING A STRONG CASE.

Since 1842, at CASE Construction Equipment we have lived by an unwavering commitment to build practical, intuitive solutions that deliver both efficiency and productivity.

We continually strive to make it easier for our customers to implement emerging technologies and new compliance mandates.

Today, our global scale combined with our local expertise enables us to keep customers' real-world challenges at the center of our product development.

The vast CASE dealers' network is always ready to support and protect your investment and exceed your expectations, while also providing you with the ultimate ownership experience.

Our goal is to build both stronger machines-and stronger communities. At the end of the day, we do what's right for our customers and our communities so that they can count on CASE.

CNH Industrial
Deutschland GmbH
Case Baumaschinen
Benzstr. 1-3 - D-74076 Heilbronn
DEUTSCHLAND

CNH Industrial
Maquinaria Spain, S.A.
Avenida Aragón 402
28022 Madrid - ESPAÑA

CNH Industrial France, S.A.
16-18 Rue des Rochettes
91150 Morigny-Champigny
FRANCE

CNH Industrial Italia Spa
via Plava, 80
10135 Torino
ITALIA

CASE Construction Equipment
Cranes Farm Rd
Basildon - SS14 3AD
UNITED KINGDOM

NOTE: Standard and optional fittings can vary according to the demands and specific regulations of each country. The illustrations may include optional rather than standard fittings - consult your Case dealer. Furthermore, CNH Industrial reserves the right to modify machine specifications without incurring any obligation relating to such changes.

Conforms to directive 2006/42/EC

CASECE.COM
00800-2273-7373

The call is free from a land line.
Check in advance with your Mobile Operator if you will be charged. Toll free number not available from all calling areas.